

GH



**AUTOMOTIVE MARINE
GANTRIES**

GH-25



GH-35



GH-50



IN GH WE HAVE A WIDE VARIETY OF AUTOMOTIVE MARINE GANTRIES THAT GO FROM 20 TO 300 T. ALL OF THEM ARE CHARACTERIZED BY THEIR GREAT ROBUSTNESS, SIMPLICITY OF USE, EASY MAINTENANCE AND MANDEUVRABILITY.

WHATEVER CAPACITY OF THE REQUIRED GANTRY, ALL THE COMPONENTS OF THE SYSTEM ARE PREPARED IN A PERFECT HARMONY, IN THIS WAY BEING ABLE TO GUARANTEE A SUITABLE ADAPTATION TO EACH TYPE OF BOAT, OFFERING QUALITY AND RELIABILITY



GH-110



GH-165



GH-220



GH-275



GH-300





STRUCTURE WITH
ARTICULATED CONNECTION



AUTOMATIC
STEERING ALIGNMENT



HYDRAULIC DISTRIBUTION
SYSTEM FOR MANOUVRING



HYDRAULIC
LONG TRAVEL

With articulation to absorb torsional moments and to carry out a correct establishment and facilitate a correct running of the wheels on the surfaces.



ROBUST TURNING
PROPORTIONAL TO
THE TURNING RADIUS



SOUNDPROOF
POWER UNIT

Adapted to obtain an acoustic power level LWA of 94dB (A), equivalent to a mean level of acoustic proof 66 dB (A) at 10m, according to the Directive 2000/14/CE. Prepared to work outdoors.





MOTORS FOR
EL MOVEMENT



HYDRAULIC DISTRIBUTORS
WITH SAFETY VALVES



SPREADERS WITH CENTRAL
ANCHORAGE FOR POSITIONING
OF THE SLING



PAINTING

Blasting up to grade SA 2 1/2. Painting consists of: 1 layer of primer epoxy 2 components; 1 intermediate layer of epoxy 2 components, and 1 of finished polyurethane enamel, with a minimum thickness of 180 microns.



BOLTED STRUCTURE
FOR EASY ASSEMBLY

In order to eliminate risks of corrosion between the elements that form the screwed connections, they will be sealed with watertight seals during assembly.



SECURITY AND SAFETY



ISO 9001 CERTIFICATE



RECEIVER FOR
RADIO CONTROL



HYDRAULIC STAINLESS
STEEL PIPING

Pipes are of stainless steel, of precision, as per norm DIN-3291.



TRANSMITTER FOR
RADIO CONTROL



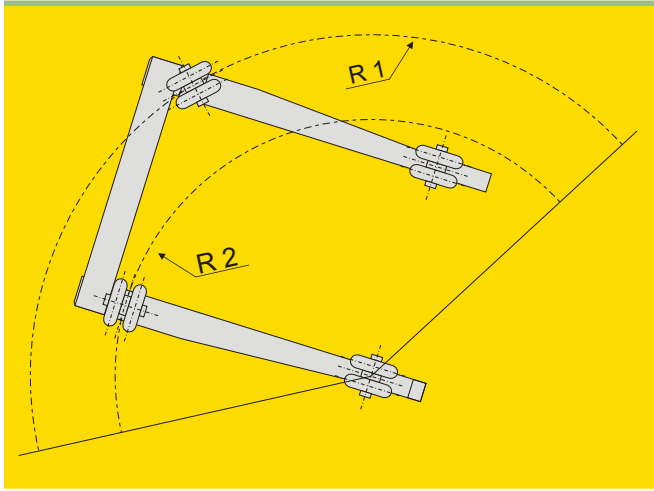
CHARACTERISTICS

TURNING RADIUS

IN ORDER TO DETERMINE AN OUTER TURNING RADIUS OF A GH AUTOMOTIVE GANTRY, TRACE UP A DIAGONAL FROM THE FURTHER OUTER POINT OF THE BACK WHEEL UNTIL THE OUTER EDGE OF THE OUTER FRONT WHEEL, AS SHOWN ON THE FIGURE.

THIS WILL PROVIDE A MINIMUM TURNING RADIUS. THIS DISTANCE MUST INCREASE WITH A CERTAIN MARGIN OF LOOSENESS, (R1 OUTER RADIO, R2 INNER RADIO). OPTIONAL 4 WHEELS STEERING.

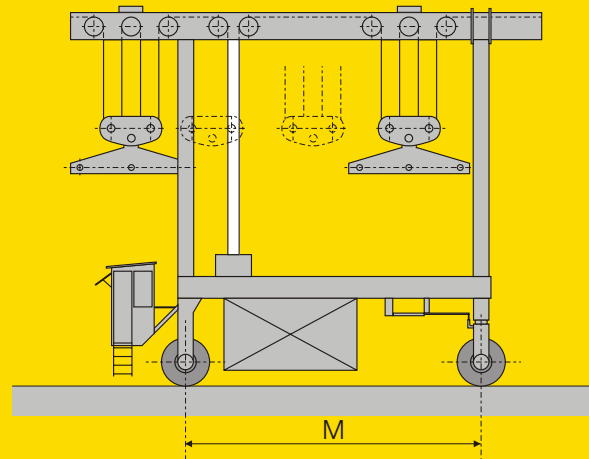
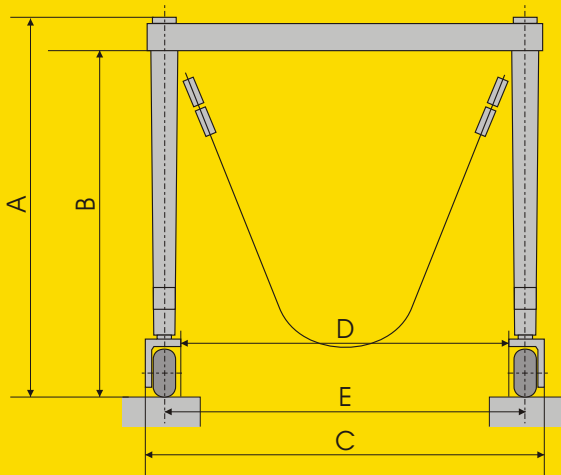
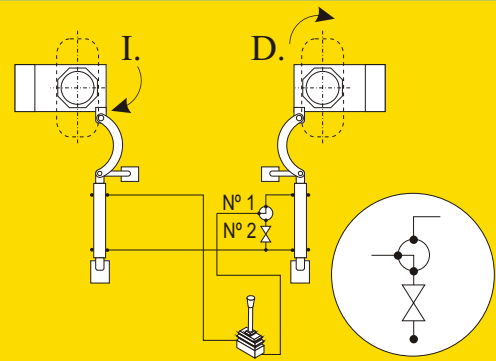
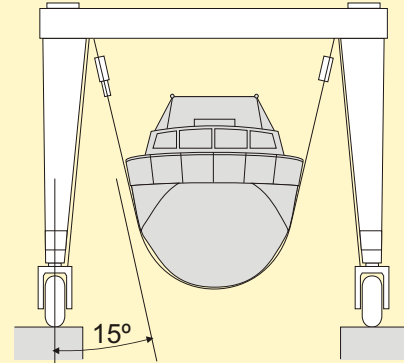
OPTIONAL 4 WHEELS STEERING.



SLING ANGLE

LIFTING CAPACITY

15 DEGREES	100 %
20 DEGREES	75 %
25 DEGREES	55 %
30 DEGREES	35 %



STANDARIZED AUTOMOTIVE MARINE GANTRY TABLE

MODEL		GH25	GH35	GH50	GH70	GH110	GH165	GH220	GH275	GH330	GH440
Lifting capacity	T.	22	32	45	64	100	150	200	250	300	400
Recommended boat length/width	max., m.	16 / 4,9	18 / 5,3	20 / 5,8	22 / 6,1	30 / 7,4	37 / 7,9	40 / 8,5	48 / 8,5	52/9,6	60/10
A Total height	mm.	5.960	6.270	6.950	7.500	10.900	11.700	12.375	13.000	14.600	16.735
B Inside free height	mm.	5.300	5.600	6.150	6.750	8.850	9.500	10.150	10.500	12.000	12.300
C Total width	mm.	6.560	7.010	7.924	8.224	10.330	10.780	12.880	13.800	15.300	17.950
D Inside free width	mm.	5.190	5.640	6.216	6.516	7.900	8.470	9.120	9.300	10.700	12.000
E Wheel span	mm.	5.800	6.250	6.900	7.200	9.000	9.500	11.000	11.800	13.000	15.400
M Distance between shafts	mm.	5.200	6.200	6.300	6.800	9.100	10.400	11.800	13.000	14.000	14.800
Sling length/quantity	m./n°	7,5 / 2	8 / 2	9 / 4	9,5 / 4	12 / 8	14 / 8	14 / 8	16 / 16	20/16	20/16
R1 Outer turning radius	m.	7,76	8,46	9,13	9,87	12,8	14,1	16,13	17,56	19,1	21,3
Approximate total weight	T.	11,5	13	21	24	42	74	94	120	140	150

MARINE JIB CRANES



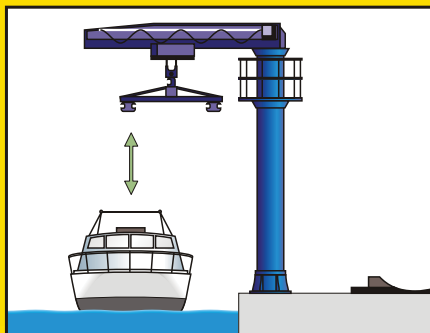
THE STANDARDIZATION OF THE MECHANISMS THROUGH A SIMPLE AND MODULAR CONSTRUCTION, ALLOWS CREATING A WIDE AND VARIED ROTATING ARM RANGE OF CRANES, THAT GO FROM 4 TO 20 T WITH AN EXTENT OF 7M ARM. A COMMON CHARACTERISTIC IN ALL OF THEM IS ITS SIMPLICITY OF USE AND EASY MANOEUVRABILITY.

COLUMN HEIGHT (H METERS)
CAPACITY IN T.

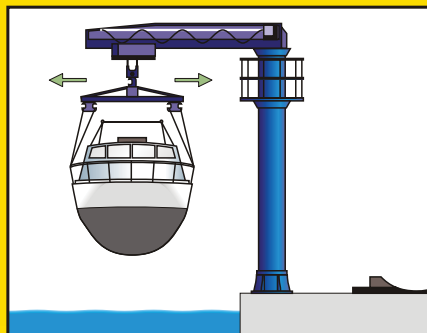
ARM LENGTH IN METRES	AL/t	2,5	3,2	4	5	6,3	8	10	12,5	16	20
4	12	10,5	8,5	7	11,5	9	15	12			
4,5	11	9	7,5	12,5	10	8	13,5	10,5			
5	10	8	7	11	9	14,5	12	16	13	10,5	
5,5	9	7,5	12,5	10	8	13	11	15	12		
6	8	7	11	9	7,5	12	10	14	10,5		
6,5	7,5	12,5	10,5	8,5	14	11,5	16	12,5	9		
7	7	11,5	9,5	8	13	10,5	15	11			

FOUNDATION AND ANCHORAGE PLATES.

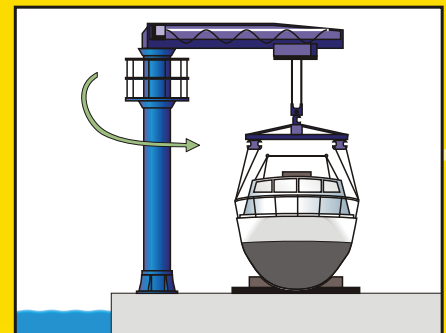
- MODEL 1 JP1 910x1100x8/ø830 16div/ø30
- MODEL 2 JP2 1350x1550x10/ø1250 20div/ø36
- MODEL 3 JP3 1600x1800x12/ø1500 22div/ø36
- MODEL 4 JP4 2000x2300x12/ø1850 20div/ø48



LIFTING MOVEMENT



CROSS TRAVEL MOVEMENT



JIB TURNING MOVEMENT

GH
INDUSTRIAS
ELECTROMECANICAS GH, S.A.

TEL.: +34 943 805 660
FAX: +34 943 888 721
E-MAIL: U.GARMENDIA@GHSA.COM
GHSA@GHSA.COM
APDO. 27 - 8º SALBATORE
20200 BEASAIN (GIPUZKOA) - SPAIN
WWW.GHSA.COM